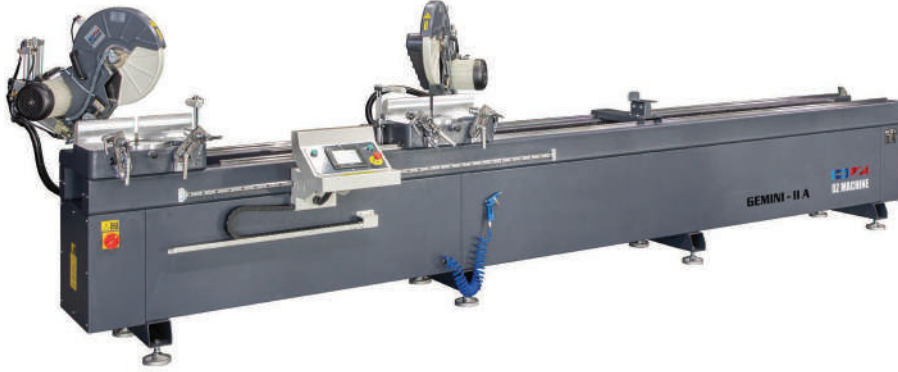


# GEMINI - II A

Double Head Saw  $\varnothing$  400 mm with Semi-Automatic Digital Display

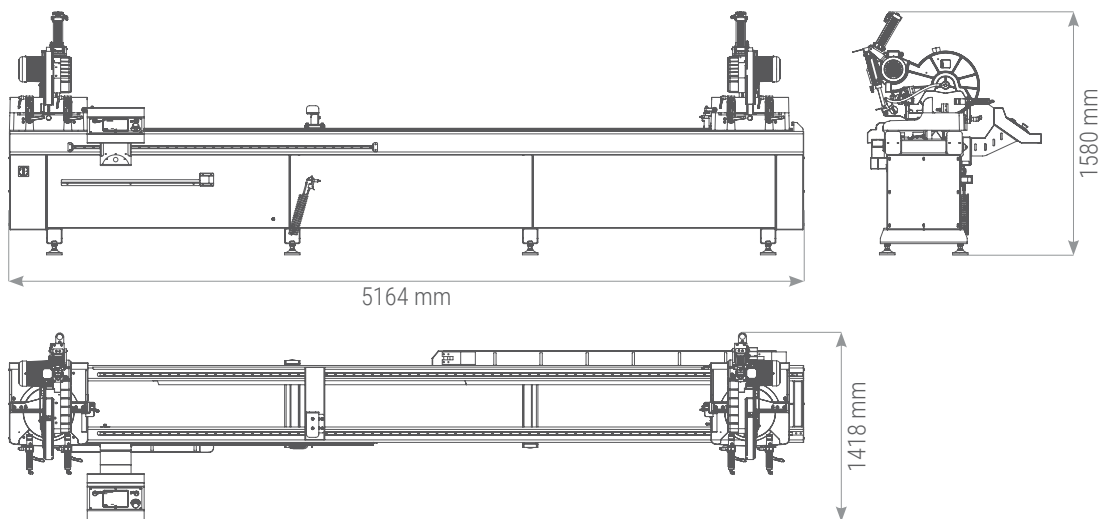
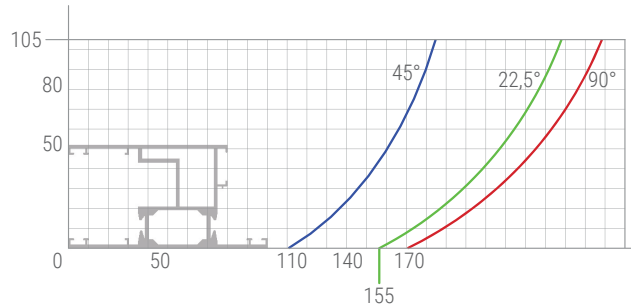
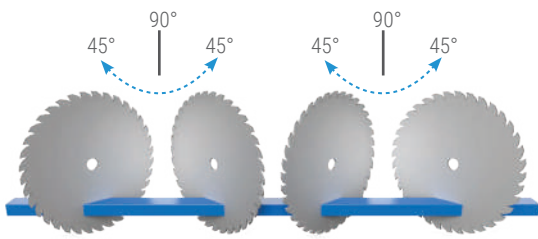


Semi-automatic double head saw with 400 mm saw blades **GEMINI - II A** is ideal for cutting aluminum, PVC and wood profiles in various angles and thickness.

**GEMINI - II A** provides rapid and automatic positioning with electro control on X axis and moving head positioning control with linear scale.

It is also provides manual positioning at any angles between  $-45^\circ$  and  $+45^\circ$ .

Safety is a topmost priority for **GEMINI - II A** together with the horizontal and automatic clamps along with profile support unit which improve the cutting quality.



# GEMINI - II A

Double Head Cutting Machine Ø 400 mm - with Semi-Automatic Digital Display

## AXIS TRAVEL

|   |         |
|---|---------|
| Electro control X axis                            | •       |
| Manual control X axis                             | ○       |
| Moving head positioning control with linear scale | •       |
| Hydro-pneumatic cutting feed adjustment           | •       |
| Minimum cutting length with double head           | 610 mm  |
| Maximum cutting length with double head           | 4550 mm |
| Maximum internal rotation angle                   | 45°     |
| Maximum external rotation angle                   | -45°    |

## POSITIONING SPEED

|                          |          |
|--------------------------|----------|
| X axis positioning speed | 15 m/min |
|--------------------------|----------|

## AIR

|             |           |
|-------------|-----------|
| Pressure    | 6 - 8 Bar |
| Consumption | 50 L/min  |

## ELECTRICAL

|               |          |
|---------------|----------|
| Maximum power | 5,45 kW  |
| Voltage       | 400 V    |
| Frequency     | 50-60 Hz |

## OPERATIONAL AREA

|   |             |
|---|-------------|
| Cemented carbide saw blade              | 2           |
| Saw blade diameter                      | 400 mm      |
| Saw blade motor power                   | 2.2kW - 3HP |
| Optional length in X-axis               | ○           |
| Horizontal pneumatic clamps             | •           |
| Vertical pneumatic clamps               | •           |
| Intermediate profile support (pcs)      | 1           |
| Additional intermediate profile support | ○           |
| Spray saw cooling system                | •           |
| Saw blade travel speed adjustment       | •           |

• Standard    ○ Optional